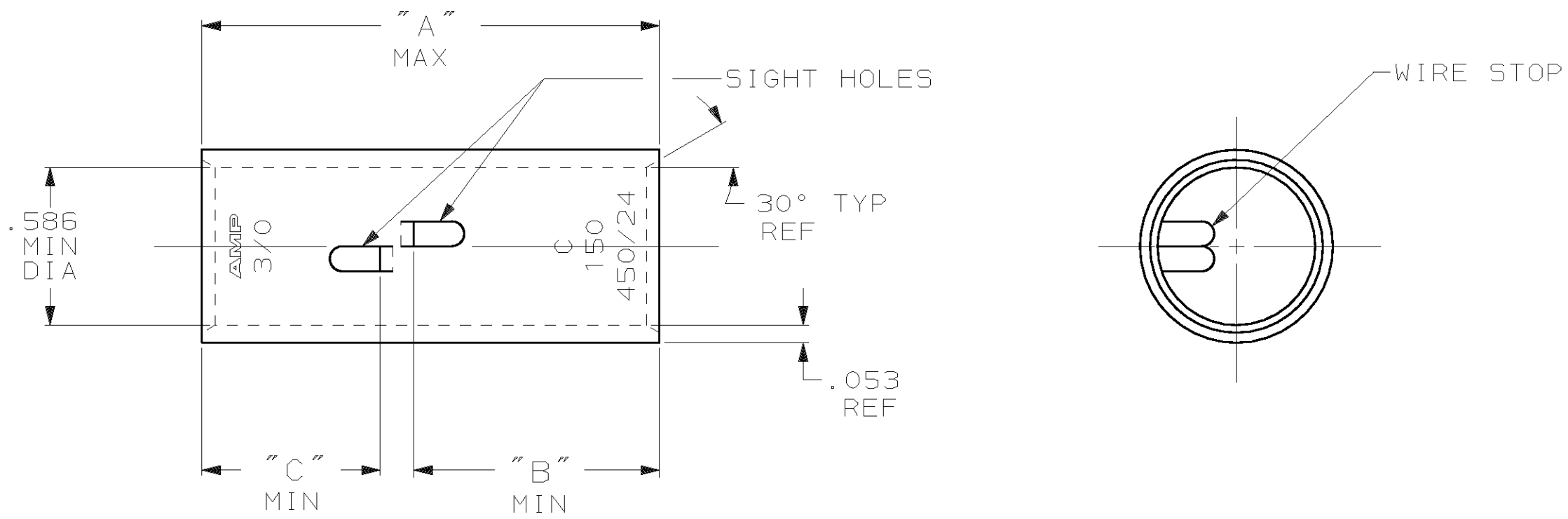


THIS DRAWING IS UNPUBLISHED. RELEASED FOR PUBLICATION, 19 .  
 © COPYRIGHT 19 BY AMP INCORPORATED. ALL INTERNATIONAL RIGHTS RESERVED.

LOC	DIST	P	F	REVISIONS				
G	86			ZONE	LTR	DESCRIPTION	DATE	APPD
					P	REV PER 0G3A-0637-01	030CT02	JR/MS



- ① TIN PL .000150 MIN THK MIL-T-10727
- ② PART NO: 324460; .052 LB.  
PART NO: 1-324460-0; .052 LB.  
PART NO: 1-324460-3; .061 LB.
- ③ PRELIMINARY - NOT FOR PRODUCTION

.66	.91	1.77	△	150,500-	COPPER	△ 1-324460-3
.66	.66	1.52	CLEANED	190,000	ASTM-B-75	1-324460-0
"C"	"B"	"A"	△	CM	ANNEALED	324460
			FINISH	WIRE RANGE	MATERIAL	PART NO
DO NOT SCALE PRINT. UNLESS SPECIFIED DIMENSIONS IN INCHES TOLERANCES ON:			DR 4/24/89	AMP INCORPORATED Harrisburg, Pa. 17105		
2 PLC DEC ± -			DK SCHRUM			
3 PLC DEC ± -			CHK 4/24/89	NAME SPLICE, BUTT, AMPPOWER WIRE SIZE: 3/0 AWG		
ANGLES ± -			MS FEHER			
MATERIAL			APPD 11/8/89	SIZE <b>B</b>		
SEE TABLE			WJ VOCKROTH			
FINISH			APPD 11/8/89	FSCM NO	DRAWING NO	
SEE TABLE			TL SHUTTER	00779	324460	
			PRODUCT SPEC	SCALE 2:1		
			APPLICATION SPEC	SHEET 1 OF 1		
			WEIGHT	CUSTOMER DRAWING		